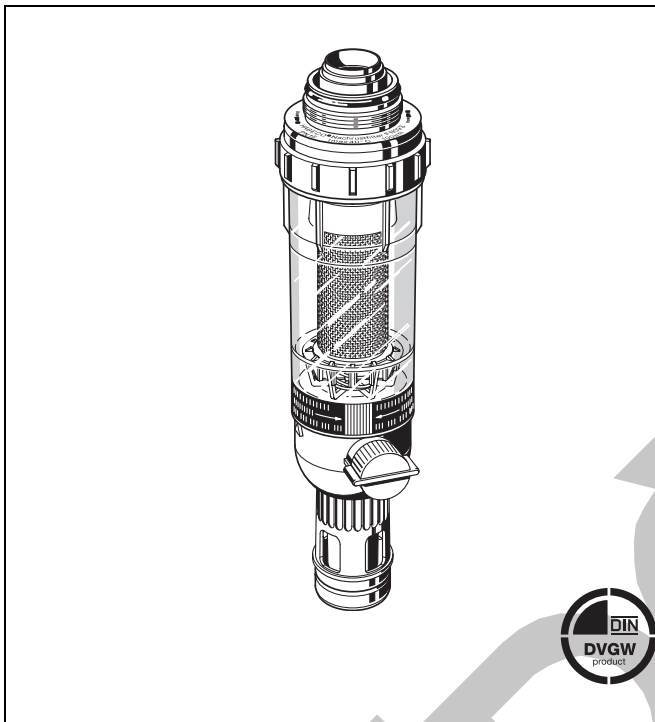


FN09S

Habedo®-retrofit reverse rinsing fine filter for D06F pressure reducing valves

Product specification sheet



Application

Habedo® FN09S retrofit reverse rinsing filters are suitable for retrofitting to existing D06F pressure reducing valves. The converted pressure reducing valve then fulfills the same functions as a Honeywell filter combination. The fine filter prevents the ingress of foreign bodies, for example rust particles, strands of hemp and grains of sand. The appliances correspond to current DIN/DVGW specifications.

Special Features

- DIN/DVGW approved in conjunction with the pressure reducing valves D06F
- Easily fitted to existing pressure reducing valves
- Filtered water supplied even during reverse rinsing
- Patented reverse rinsing system - fast and thorough cleaning of the filter with small amount of water
- Memory ring indicates when next manual reverse rinsing is due
- Automatic reverse rinsing actuator with bayonet connector can be retrofitted
- Large filter surface
- Shock resistant clear synthetic material filter bowl enables easy checking of filter contamination
- Filter and complete filter bowl are replaceable
- Standardised discharge connection
- Meets KTW recommendations for potable water

Range of Application

Medium Water

The filter is constructed for drinking water installations. In case of a process water application the filter has to be proven individually.

Technical Data

Installation position	Horizontal, with filter bowl downwards
Operating temperature	Maximum 40 °C with clear filter bowl Maximum 70 °C with red-bronze filter bowl
Operating pressure	Minimum 1.5 bar Maximum 16.0 bar with clear filter bowl Maximum 25.0 bar with red-bronze filter bowl
Connection size	D06F in sizes 1/2" - 2"

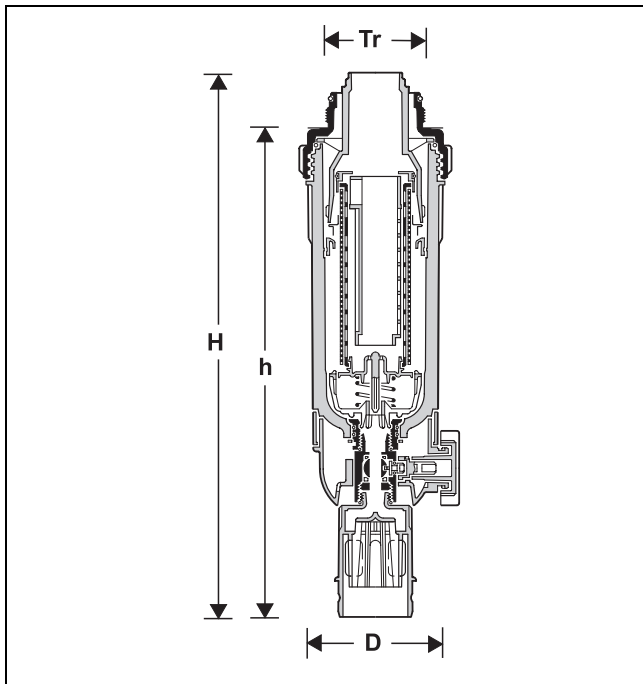
Construction

The retrofit fine filter comprises:

- Adapter with trapezoidal thread
- Fine filter in clear filter bowl
- Ball valve with drain connection
- Double wing wrench

Materials

- Adapter of dezincification resistant brass
- Stainless steel fine filter
- Red-bronze or shock-resistant, clear transparent synthetic material filter bowl
- NBR seals



Method of Operation

The filter insert comprises an upper part and a lower combination section. When in the „filtering“ position, the small upper filter is closed so that the water can only pass through the main filter from outside to inside. When the ball valve is opened for reverse rinsing, the filter is pushed downwards until the water supply to the outer side of the main filter is stopped. Simultaneously, the water flow is opened to the upper part of the filter. The water needed for cleaning the filter passes through the upper sieve, the rotating impeller and the main filter from inside to outside. By this means, the filter is fully cleaned over its whole surface area at the full inlet pressure. The filter automatically switches over to the operating position when the ball valve is closed again.

Options

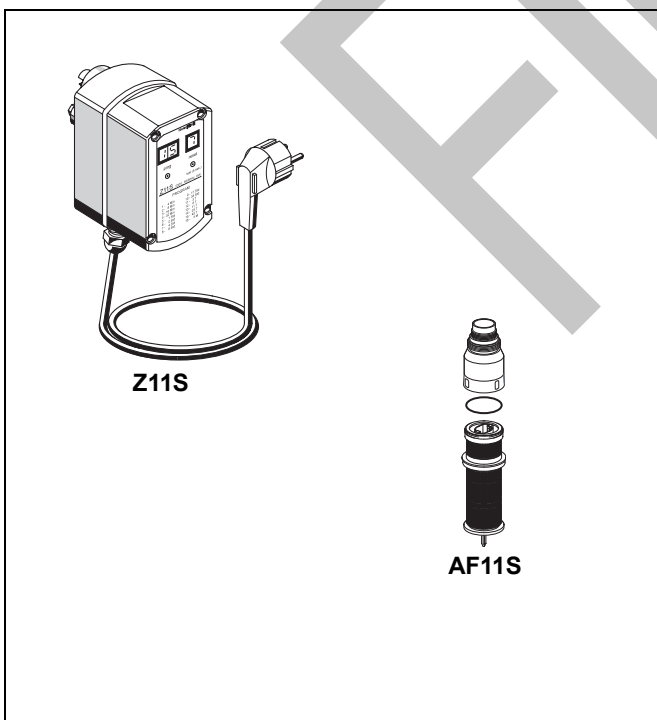
- FN09S-...A* = Filter mesh size 100 µm
- FN09S-...AN** = Filter mesh size 100 µm
- FN09S-...AM* = Red-bronze filter bowl, filter mesh size 100 µm
- FN09S-...AMN** = Red-bronze filter bowl, filter mesh size 100 µm

⊥
Connection size

Connection size	R	1/2"	1"(AN,AMN)	1"(A,AM)	1 1/2"
for D06F in sizes	R	1/2"+3/4"	1" + 1 1/4" **	1" + 1 1/4" *	1 1/2"+2"
Weight	approx. kg	2.0	2.0	2.0	3.3
Dimensions	mm				
	Tr	48 x 2	56 x 2	65 x 2	75 x 2
	H	374	373	369	434
	h	342	342	329	380
	D	100	100	100	124

* 1" only for 1977 - 1991 and 1 1/4" for 1977 - 1996

** 1" only for 1991 and 1 1/4" 1996 and onwards



Accessories

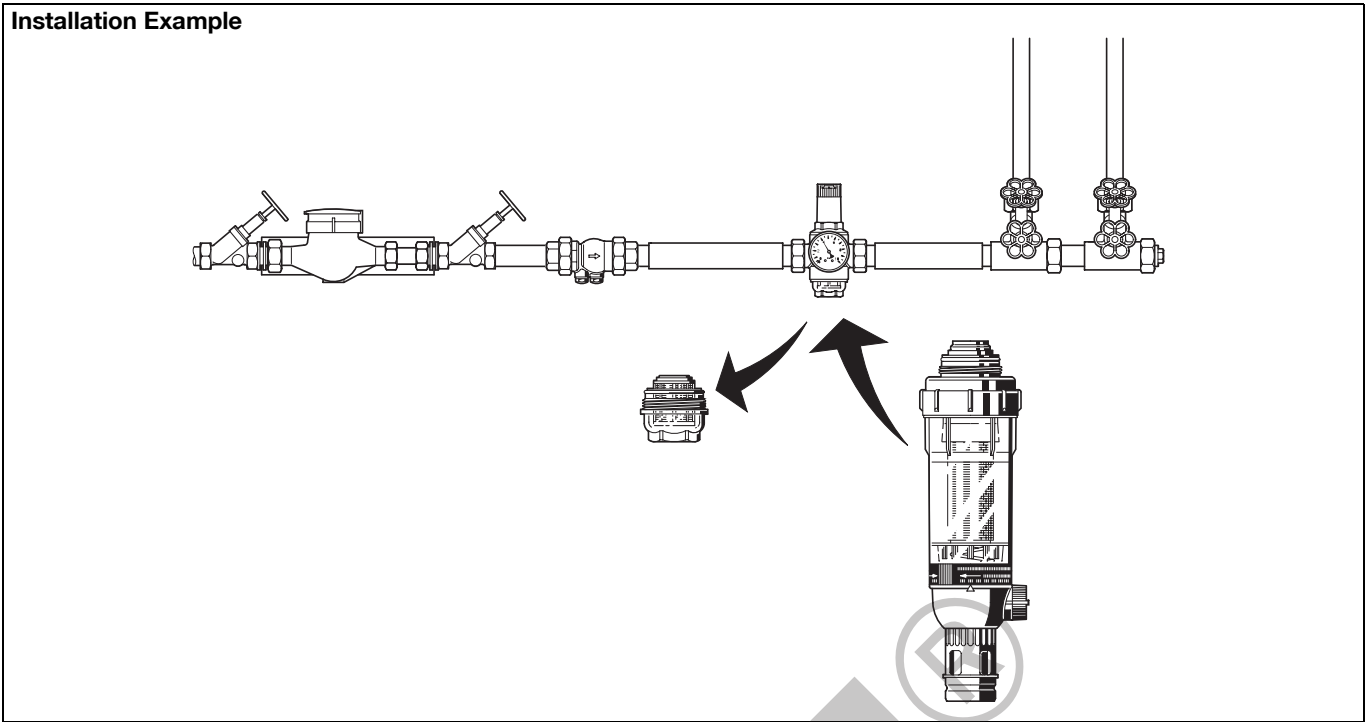
Z11S Automatic reverse rinsing actuator

For automatic filter cleaning at presettable intervals

AF11S Filter insert complete

Available with filter meshes 20 µm, 50 µm, 100 µm, 200 µm, 300 µm, 500 µm

Installation Example



Installation Guidelines

- Install in horizontal pipework with filter bowl downwards
 - o This position ensures optimum filter efficiency
- Install shutoff valves
 - o Degree of contamination can be seen with clear filter bowl
 - o Simplifies maintenance and inspection
- Remove filter bowl and filter from pressure reducing valve and replace with FN09
- The installation location should be protected against frost

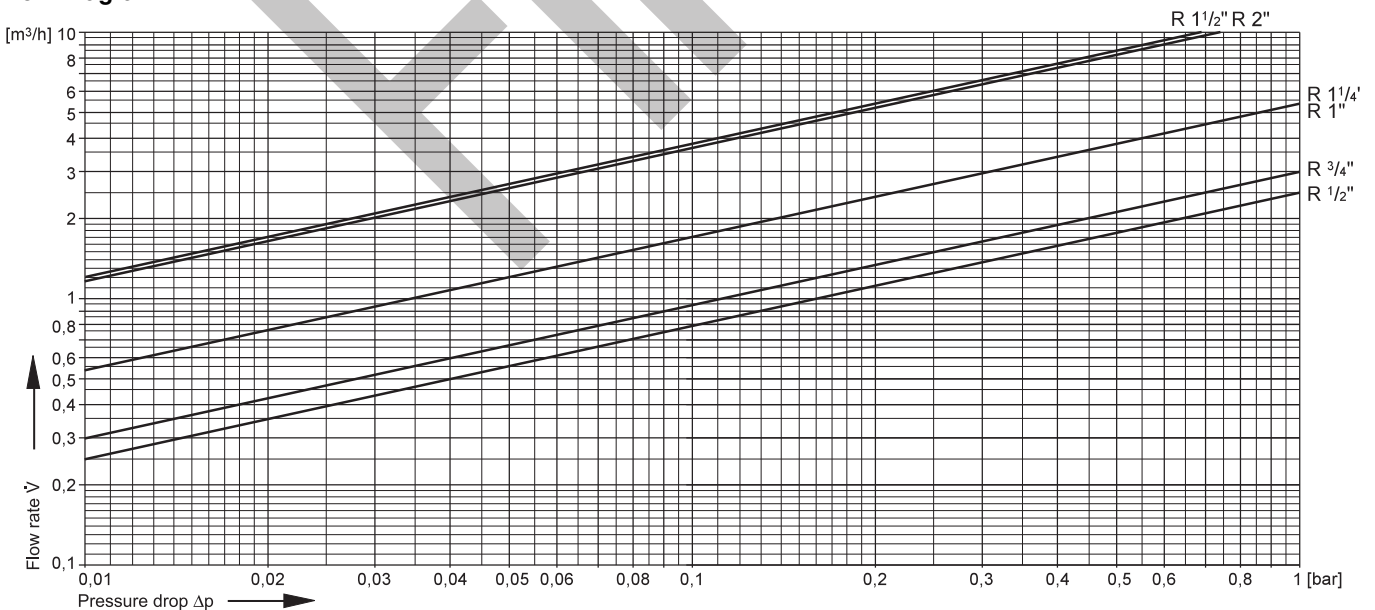
Typical Applications

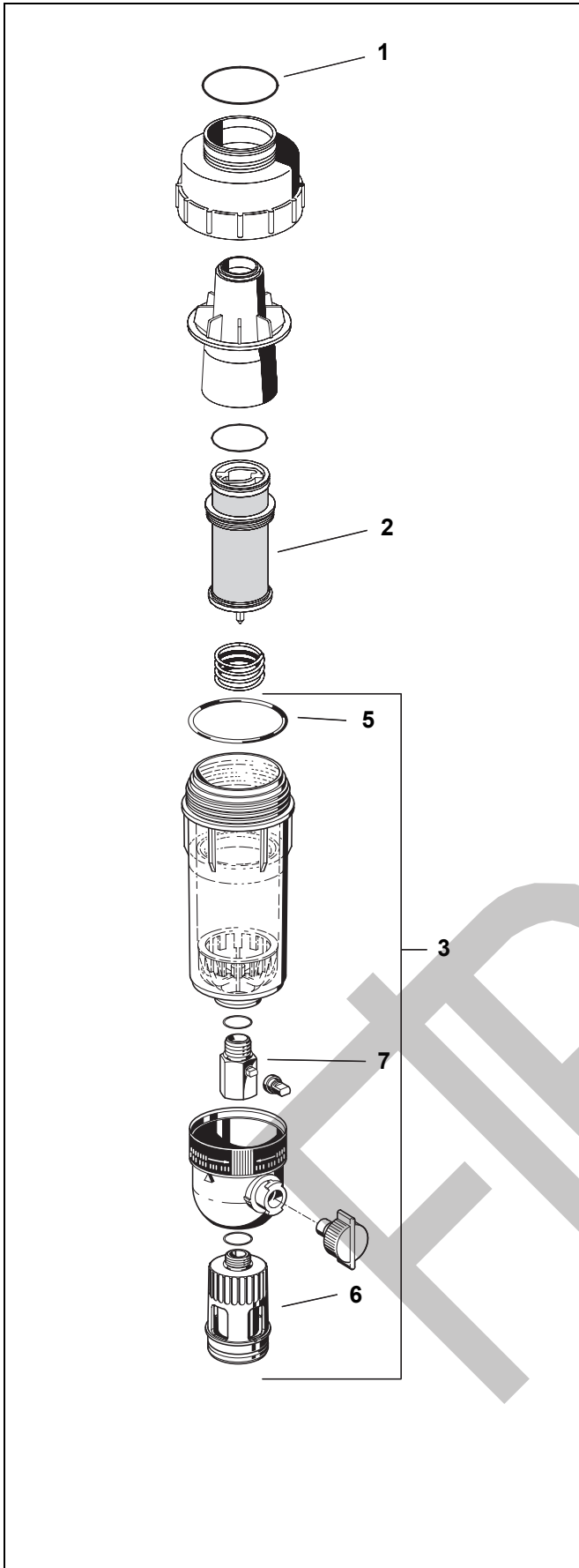
Retrofit filters of this type are suitable for subsequent fitting to existing D06F pressure reducing valves. They are suitable for supplies to all types of household installations. They can also be used for commercial and industrial applications within the limits of their specifications.

Retrofit filters of this type are installed:

- Where there is existing metal or plastics pipework
- If the downstream system includes appliances which must be protected against dirt

Flow Diagram





Spare Parts

Habedo®-FN09S Retrofit Filters (From 1997 onwards)

No	Description	Dimension	Part No.
1	O-ring set (pack of 10)	1/2" 1" 1"N 1 1/2"	0901246 0901247 0901499 0901248
2	Filter insert complete		
	Filter mesh 100 µm	1/2" + 1" + 1"N 1 1/2"	AF11S-1A AF11S-11/2A
	Filter mesh 20 µm	1/2" + 1" + 1"N 1 1/2"	AF11S-1B AF11S-11/2B
	Filter mesh 50 µm	1/2" + 1" + 1"N 1 1/2"	AF11S-1C AF11S-11/2C
	Filter mesh 200 µm	1/2" + 1" + 1"N 1 1/2"	AF11S-1D AF11S-11/2D
	Filter mesh 300 µm	1/2" + 1" + 1"N 1 1/2"	AF11S-1E AF11S-11/2E
	Filter mesh 500 µm	1/2" + 1" + 1"N 1 1/2"	AF11S-1F AF11S-11/2F
3	Clear filter bowl complete	1/2" + 1" + 1"N 1 1/2"	KF11S-1A KF11S-11/2A
4	Red-bronze filter bowl	1/2" - 1 1/4" 1 1/2" - 2"	FT09RS-1A FT09RS-11/2A
5	O-ring set (pack of 10)	1/2" + 1" + 1"N 1 1/2"	0900747 0900748
6	Drain connection	1/2" - 1 1/2"	AA76-1/2A
7	Ball valve complete	1/2" - 1 1/2"	KH11S-1A
8	Double ring wrench		
	For removing filter bowl (no fig.)	1/2" - 1 1/4" 1 1/2" + 2"	ZR10K-1 ZR10K-11/2

Automation and Control Solutions

Honeywell GmbH
 Hardhofweg
 D-74821 Mosbach
 Phone: (49) 6261 810
 Fax: (49) 6261 81309
<http://europe.hbc.honeywell.com>
www.honeywell.com

Manufactured for and on behalf of the
 Environmental and Combustion Controls Division
 of Honeywell Technologies Sàrl, Rolle, Z.A. La
 Pièce 16, Switzerland by its Authorised Repre-
 sentative Honeywell GmbH

EN0H-1116GE23 R0808
 Subject to change without notice
 © 2008 Honeywell GmbH

