

**ICA** ISO CLIP ADAPTER

**ISO 5211**

**CLIP SYSTEM**



The ICA adapter is intended for use on ISO valves for actuators with clip systems.

- It is designed for easy attachment with two screws on 2-way and 3-way ISO valves.
- Compact design and easy installation of ICA adaptor on ISO valves.

### OPERATION

ICA adapter is installed between the iso valve unit and the actuator, with clip system.

ICA adapter can be used with ISO 5211 valves with series 9000 electric actuators. With a mounting adapter it can also be used with S4000 and UNI actuators in combination with CLIP SYSTEM valves.

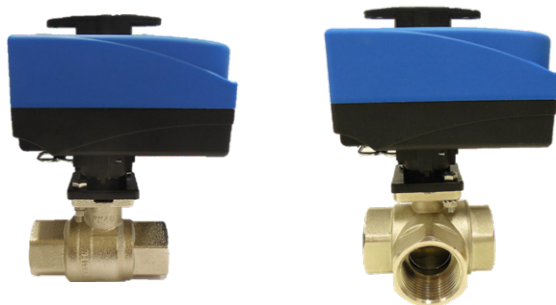
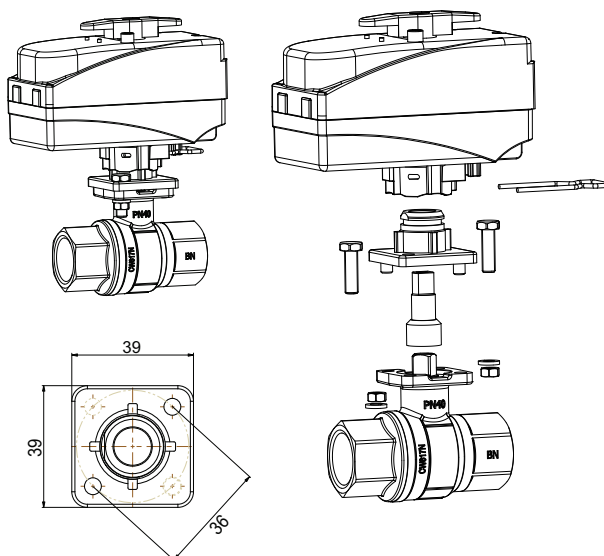
### INSTALLATION POSITION

The ICA adapter can be mounted on 2-way and 3-way ISO F03 valves from DN15- DN25.

### TECHNICAL DATA: ICA ADAPTER

Valves:	ISO 5211 (F03 valves from DN15 - DN25)
Max. operating torque:	5 Nm
Material:	PA

### DIMENSIONS



Code	Type
58102	Adapter set ISO CLIP

### SUITABLE VALVES



**2-WAY ISO VALVE**



**3-WAY ISO VALVE**