

# FMV 130C

## FIRŠT MIXING VALVES

3-way rotary brass valves for mixing or diverting applications with Clip system

FIRŠT®



FMV 131C

FMV 132C

FMV 133C

Valves are available in DN 15 – DN 50, with internal, external threads or compression fittings and are rated PN10.

- FIRŠT rotary mixing valves are designed for use: within commercial & domestic heating systems e.g. radiator, underfloor, radiant panel, mixing circuits, plant room, heat pumps, HVAC systems and in solar heating systems...
- Three types of connections are available: internal threads (FMV 131C), external thread (FMV 132C) and compression fittings (FMV 133C).

### OPERATION

The FIRŠT FMV 131C, 132C and 133C are compact brass valves for use in small and medium sized heating and cooling installations.

Mixing valves are suitable for long-lasting operation because of special sealing construction. Small rotation torque of the valve minimizes possibility of valve blocking.

Valves can be additionally equipped with S9000 MIX and UNI actuators.

### MAINTENANCE

Valves require no maintenance. The installation of suitable strainer is recommended.

### INSTALLATION POSITIONS

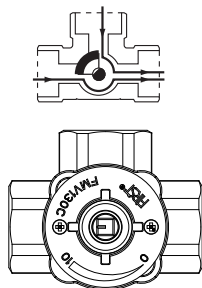
The valve can be turned and rotated to fit different mounting positions. Valves are designed for use in mixing or diverting applications.

### TECHNICAL DATA

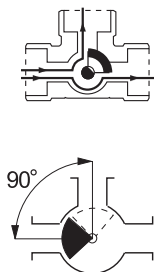
Pressure class:	PN 10
Medium:	water, glycol < 50% water quality as per VDI 2035
Media temperature:	min. -10°C max. +110°C
Leakage ( $\Delta p=1$ bar):	max. 0,5% Kvs
Max. diff. pressure:	1 bar
Connections:	Rp internal thread (EN 10226-1) G external thread (ISO 228-1) compression fittings (EN 1254-2)
Material	
Valve body:	Brass, CW617N
Shaft and rotor:	Brass, CW617N
Bushing:	PTFE
O-rings:	EPDM, FKM

PED 97/ 23/ EC art 3.3

### CHANGEOVER APPLICATION



### DIVERTING APPLICATION

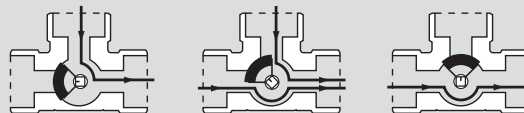
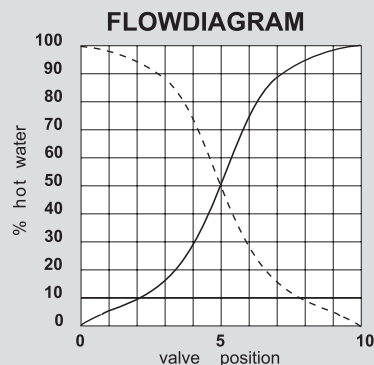


### CLIP SYSTEM

Compact design of the valve allows easy assembling and disassembling. CLIP system allows easy installation of the actuator on the valve body with single click without any tools.



### FLOW DIAGRAM



### SUITABLE ACTUATORS



- S9000 MIX
- S9000 MIX MOD
- UNI 3P
- UNI MOD X
- UNI TEMP

FIRŠT®

FIRŠT d.o.o.  
Koroška cesta 56  
SI-3320 Velenje  
SLOVENIA

phone: +386 3 898 35 00  
fax: +386 3 898 35 35  
email: info@first.si  
web: www.first.si

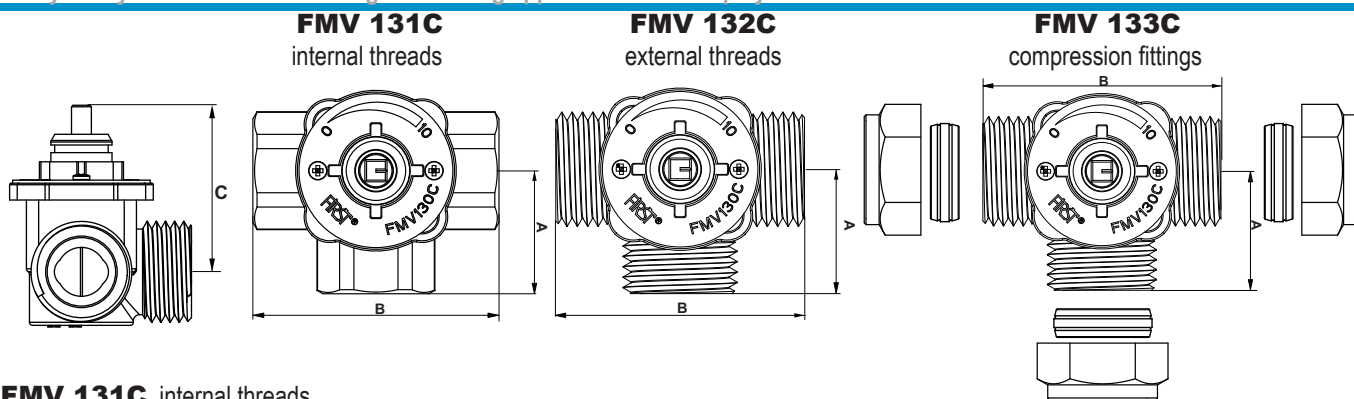
www.first.si  
Let First be your first choice.



# FMV 130C

## FIRST MIXING VALVES

3-way rotary brass valves for mixing or diverting applications with Clip system



### FMV 131C, internal threads

Code	Type	DN	Kvs**	Connection	A	B	C	Weight [kg]	Price(€)
41108	FMV 131C DN15 Rp 1/2" FFF	15	4	Rp 1/2"	36	72	54	0,49	
41109	FMV 131C DN20 Rp 3/4" FFF	20	6,3	Rp 3/4"	36	72	54	0,55	
41110	FMV 131C DN25 Rp 1" FFF	25	10	Rp 1"	41	82	54	0,59	
41111	FMV 131C DN32 Rp 1 1/4" FFF	32	15	Rp 1 1/4"	47	94	57	0,92	
41142	FMV 131C DN40 Rp 1 1/2" FFF	40	25	Rp 1 1/2"	53	106	64	1,62	
41143	FMV 131C DN50 Rp 2" FFF	50	40	Rp 2"	60	120	66	2,20	

### FMV 132C, external threads

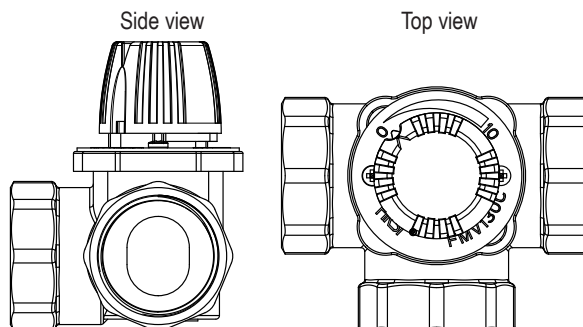
Code	Type	DN	Kvs**	Connection	A	B	C	Weight [kg]	Price(€)
41116	FMV 132C DN15 G3/4" MMM	15	4	G 3/4"	36	72	54	0,47	
41117	FMV 132C DN20 G1" MMM	20	6,3	G 1"	36	72	54	0,51	
41118	FMV 132C DN25 G1 1/4" MMM	25	10	G 1 1/4"	41	82	54	0,66	
41119	FMV 132C DN32 G1 1/2" MMM	32	15	G 1 1/2"	47	94	57	0,88	

### FMV 133C, compression fittings

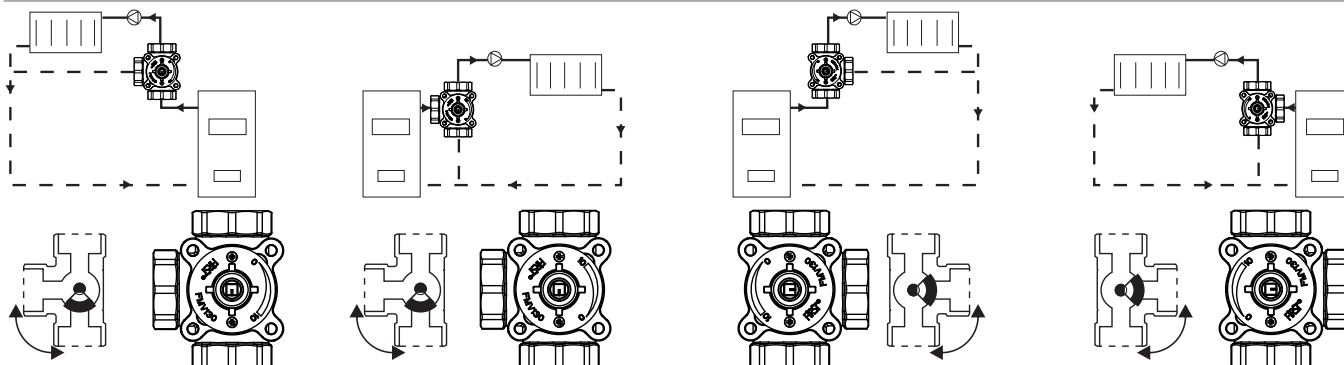
Code	Type	DN	Kvs**	Connection	A	B	C	Weight [kg]	Price(€)
41122	FMV 133C DN20 C22mm CCC	20	6,3	CPF 22 mm	36	72	54	0,56	
41123	FMV 133C DN25 C28mm CCC	25	10	CPF 28 mm	41	82	54	0,69	

### FEATURES AND OPTIONS

- **Button:** Optional button for manual operation



### INSTALLATION EXAMPLES



FIRST d.o.o.  
Koroška cesta 56  
SI-3320 Velenje  
SLOVENIA

phone: +386 3 898 35 00  
fax: +386 3 898 35 35  
email: info@first.si  
web: www.first.si

[www.first.si](http://www.first.si)  
Let First be your first choice.

