

FDV 230

FIRŠT DIVERTING VALVES

3-way rotary brass valves for diverting or changeover applications

FIRŠT®



FDV 231

FDV 232

FDV 233

Valves are available in DN 15 – DN 32, with internal or external thread or compression fittings and are rated PN10.

- FIRŠT FDV 231, 232 and 233 are manual operated valves, designed for use in small and medium sized heating or cooling systems.
- Three types of connections are available: internal threads (FDV 231), external threads (FDV 232), compression fittings (FDV 233).

OPERATION

The FIRŠT FDV 231, 232 and 233 are compact diverting brass valves for use in small and medium sized heating and cooling installations. Valves are designed for switching between two heating circuits (diverting function) or two heating sources (changeover function).

Valves are suitable for long-lasting operation because of special sealing construction. Small rotation torque of the valve minimizes possibility of valve blocking.

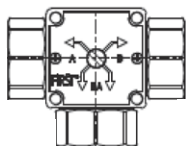
Valves are hand operated and can be additionally equipped with ROTODIVERT-M and UNI D2P actuators.

MAINTENANCE

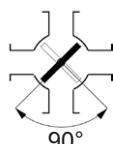
Valves require no maintenance. The installation of suitable strainer is recommended.

INSTALLATION POSITIONS

Valves are designed for use in changeover or diverting applications.



Flap position indicator



90°
Rotation angle

QUICK FIT SYSTEM

Compact design of the valve allows easy tool access when assembling and disassembling the valve. Quick fit system allows easy installation of the actuator on the valve body.



TECHNICAL DATA

Pressure class:	PN 10
Medium:	water, glycol < 50% water quality as per VDI 2035
Media temperature:	min. -10°C max. +110°C
Leakage ($\Delta p=1$ bar):	max. 0,2% Kvs
Max. diff. pressure:	1 bar
Connections:	Rp internal thread (EN 10226-1) G external thread (ISO 228-1) compression fittings (EN 1254-2)

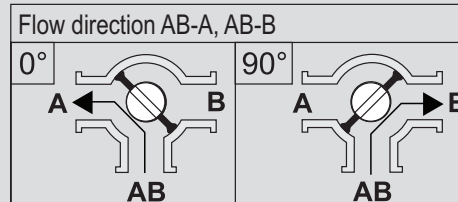
Material

Valve body:	Brass, CW617N
Shaft and rotor:	Brass, CW617N
Bushing:	PTFE
O-Rings:	EPDM,FKM

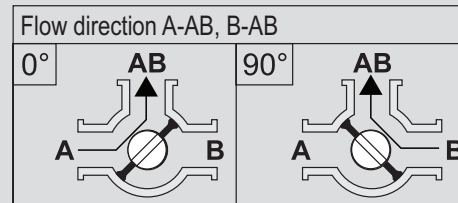
PED 97/ 23/ EC art 3.3

APPLICATION

DIVERTING APPLICATION



CHANGEOVER APPLICATION



SUITABLE ACTUATORS



- ROTODIVERT-M
- UNI D2P

FIRŠT®

FIRŠT d.o.o.
Koroška cesta 56
SI-3320 Velenje
SLOVENIA

phone: +386 3 898 35 00
fax: +386 3 898 35 35
email: info@first.si
web: www.first.si

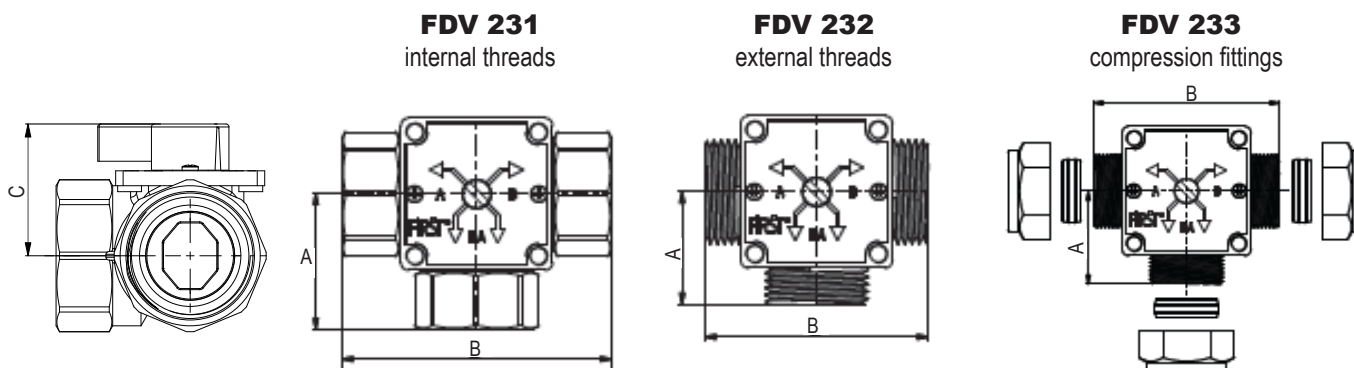
www.first.si
Let Firšt be your first choice.



FDV 230

FIRST DIVERTING VALVES

3-way rotary brass valves for diverting or changeover applications



FDV 231, internal threads

Code	Type	DN	Kvs	Connection	A	B	C	Weight [kg]	Price (€)
41104	FDV231 DN15 Rp 1/2" FFF	15	3	Rp 1/2"	36	72	45	0,41	
41105	FDV231 DN20 Rp 3/4" FFF	20	7	Rp 3/4"	36	72	45	0,47	
41106	FDV231 DN25 Rp1" FFF	25	11	Rp 1"	41	82	45	0,51	
41107	FDV231 DN32 Rp1 1/4" FFF	32	15	Rp 1 1/4"	47	94	48	0,84	

FDV 232, external threads

Code	Type	DN	Kvs	Connection	A	B	C	Weight [kg]	Price (€)
41128	FDV232 DN15 G 3/4" MMM	15	3	G 3/4"	36	72	45	0,39	
41129	FDV232 DN20 G1" MMM	20	7	G 1"	36	72	45	0,43	
41130	FDV232 DN25 G1 1/4" MMM	25	11	G 1 1/4"	41	82	45	0,58	
*41131	FDV232 DN32 G1 1/2" MMM	32	15	G 1 1/2"	47	94	48	0,80	

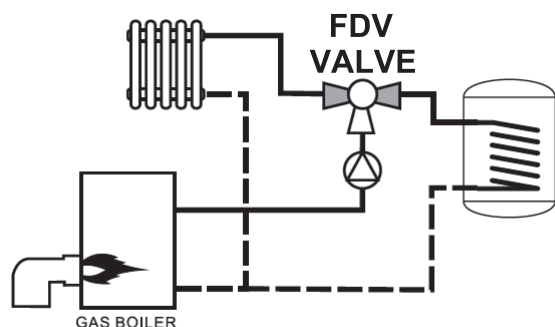
FDV 233, compression fittings

Code	Type	DN	Kvs	Connection	A	B	C	Weight [kg]	Price (€)
41136	FDV233 DN20 C22mm CCC	20	7	CPF 22 mm	36	72	45	0,48	
41137	FDV233 DN25 C28mm CCC	25	11	CPF 28 mm	41	82	45	0,61	

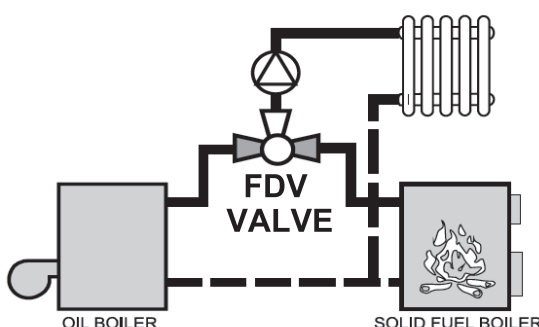
* Valves are available on special request.

APPLICATION EXAMPLES

Diverting to two heat users (radiator or water heater), or changeover between two heat sources (oil boiler or solid fuel boiler).



Diverting application



Changeover application