

FDV 230C

FIRŠT DIVERTING VALVES

3-way rotary brass valves for diverting or changeover applications with Clip system

FIRŠT®



FDV 231C

FDV 232C

FDV 233C

Valves are available in DN 15 – DN 32, with internal or external thread or compression fittings and are rated PN10.

- FIRŠT FDV 231C, 232C and 233C are manual operated valves designed for use in small and medium sized heating or cooling systems.
- Three types of connections are available: internal threads (FDV 231C), external threads (FDV 232C), compression fittings (FDV 233C).

OPERATION

The FIRŠT FDV 231C, 232C and 233C are compact diverting brass valves for use in small and medium sized heating and cooling installations. Valves are designed for switching between two heating circuits (diverting function) or two heating sources (changeover function).

Valves are suitable for long-lasting operation because of special sealing construction. Small rotation torque of the valve minimizes possibility of valve blocking.

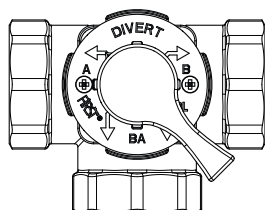
Valves are hand operated and can be additionally equipped with S9000-DIV and UNI D2P actuators.

MAINTENANCE

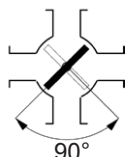
Valve require no maintenance, The installation of suitable strainer is recommended.

INSTALLATION POSITIONS

Valves are designed for use in changeover or diverting applications.



Flap position indicator



90°
Rotation angle

CLIP SYSTEM

Compact design of the valve allows easy assembling and disassembling. CLIP system allows easy installation of the actuator on the valve body with single click without any tools.



TECHNICAL DATA

Pressure class:	PN 10
Medium:	water, glycol < 50% water quality as per VDI 2035
Media temperature:	min. -10°C max. +110°C
Leakage ($\Delta p=1$ bar):	max. 0,2% Kvs
Max. diff. pressure:	1 bar
Connections:	Rp internal thread (EN 10226-1) G external thread (ISO 228-1) compression fittings (EN 1254-2)

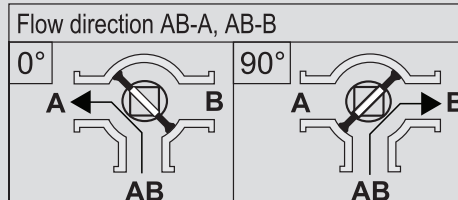
Material

Valve body:	Brass, CW617N
Shaft and rotor:	Brass, CW617N
Bushing:	PTFE
O-rings:	EPDM, FKM

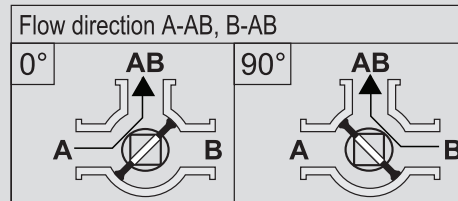
PED 97/ 23/ EC art 3.3

APPLICATION

DIVERTING APPLICATION



CHANGEOVER APPLICATION



SUITABLE ACTUATORS



- S9000 2P-ND-DIV
- UNI D2P

FIRŠT®

FIRŠT d.o.o.
Koroška cesta 56
SI-3320 Velenje
SLOVENIA

phone: +386 3 898 35 00
fax: +386 3 898 35 35
email: info@first.si
web: www.first.si

www.first.si
Let First be your first choice.



FDV 230C

FIRST DIVERTING VALVES

3-way rotary brass valves for diverting or changeover applications with Clip system

FDV 231C

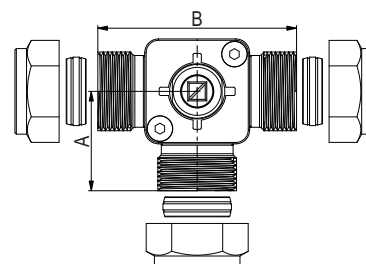
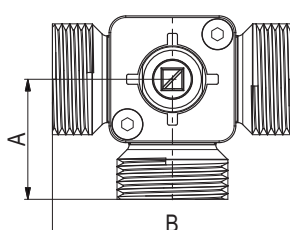
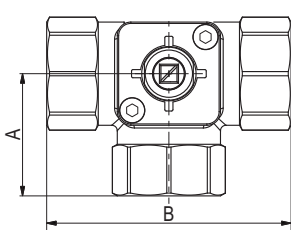
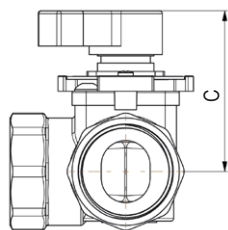
internal threads

FDV 232C

external threads

FDV 233C

compression fittings



FDV 231C, internal threads

Code	Type	DN	Kvs**	Connection	A	B	C	Weight [kg]	Price (€)
41124	FDV 231C DN15 Rp 1/2" FFF	15	3	Rp 1/2"	36	72	57	0,47	
41125	FDV 231C DN20 Rp 3/4" FFF	20	7	Rp 3/4"	36	72	57	0,54	
41126	FDV 231C DN25 Rp 1" FFF	25	11	Rp 1"	41	82	57	0,57	
*41127	FDV 231C DN32 Rp 1 1/4" FFF	32	15	Rp 1 1/4"	47	94	60	0,89	
*41144	FDV 231C DN40 Rp 1 1/2" FFF	40	25	Rp 1 1/2"	53	106	65	1,20	
*41145	FDV 231C DN50 Rp 2" FFF	50	40	Rp 2"	60	120	66	1,78	

FDV 232C, external threads

Code	Type	DN	Kvs**	Connection	A	B	C	Weight [kg]	Price (€)
41132	FDV 232C DN15 G 3/4" MMM	15	3	G 3/4"	36	72	57	0,45	
41133	FDV 232C DN20 G 1" MMM	20	7	G 1"	36	72	57	0,59	
41134	FDV 232C DN25 G 1 1/4" MMM	25	11	G 1 1/4"	41	82	57	0,64	
*41135	FDV 232C DN32 G 1 1/2" MMM	32	15	G 1 1/2"	47	94	60	0,85	

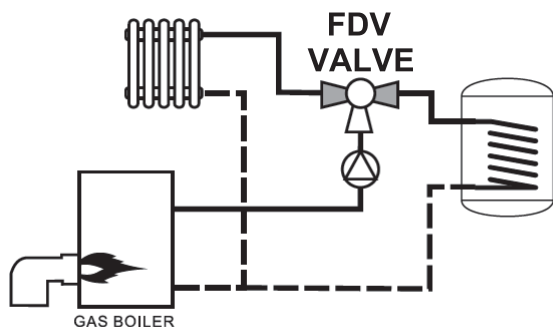
FDV 233C, compression fittings

Code	Type	DN	Kvs**	Connection	A	B	C	Weight [kg]	Price (€)
41138	FDV 233C DN20 C22mm CCC	20	7	CPF 22mm	36	72	57	0,55	
41139	FDV 233C DN25 C28mm CCC	25	11	CPF 28mm	41	82	57	0,66	

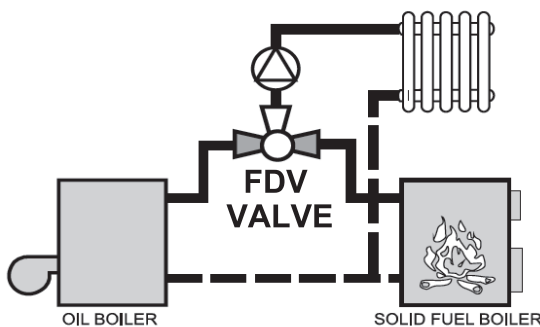
* Valves are available on special request.

APPLICATIONS EXAMPLES

Diverting to two heat users (radiator or water heater), or changeover between two heat sources (oil boiler or solid fuel boiler)



Diverting application



Changeover application