

FMV H-151

FIRŠT MIXING VALVES

3-way mixing valves H-151 with by-pass and pump connection

FIRŠT®



FMV H-151

Valves are available in DN 25, with by-pass and pump connection and are rated PN10.

- FIRŠT FMV H-151 valves have the running nut for pump connection, the male connection to the manifold and the adjustable bypass on the way back and adjustable parallel dimension (125-90 mm).

OPERATION

The FIRŠT FMV H-151 valves with by-pass and pump connection are intended to be used in heating and/ or cooling systems, sanitary applications and distribution groups.

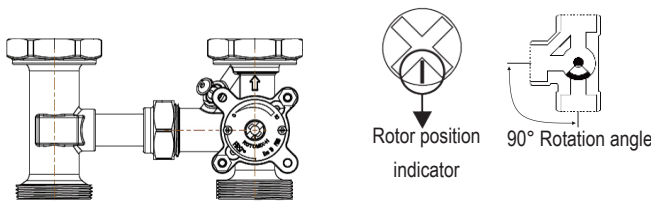
Valves are suitable for long-lasting operation because of special sealing construction. Small rotation torque of the valve minimizes possibility of valve blocking.

Valves are hand operated and can be additionally equipped with EUROMIX and UNI series actuators.

MAINTENANCE

Valves require no maintenance. The installation of suitable strainer is recommended.

INSTALLATION POSITIONS



QUICK FIT SYSTEM

Compact design of the valve allows easy tool access when assembling and disassembling the valve. Quick fit system allows easy installation of the actuator on the valve body.



TECHNICAL DATA

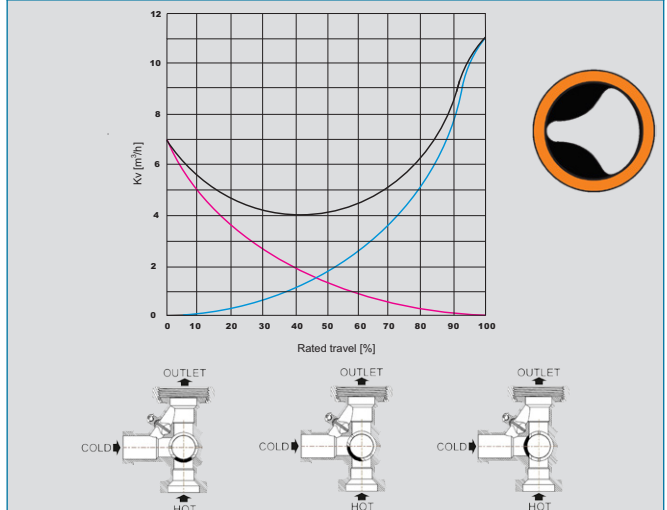
Pressure class:	PN 10
Medium:	water, glycol < 50% water quality as per VDI 2035
Media temperature:	min. -10°C max. +110°C
Leakage ($\Delta p=1$ bar):	max. 0,1% Kvs
Max. diff. pressure:	1 bar
Connections:	Rp internal thread (EN 10226-1) G external thread (ISO 228-1)

Material

Valve body:	Brass, CW617N
Shaft and rotor:	Brass, CW617N
Bushing:	PTFE
O-Rings:	EPDM,FKM

PED 97/ 23/ EC art 3.3

EQUAL PERCENTAGE FLOW CHARACTERISTIC



SUITABLE ACTUATORS



- EUROMIX
- COMP MOD
- ROTOTEMP
- UNI 3P
- UNI MOD X
- UNI TEMP

FIRŠT®

FIRŠT d.o.o.
Koroška cesta 56
SI-3320 Velenje
SLOVENIA

phone: +386 3 898 35 00
fax: +386 3 898 35 35
email: info@first.si
web: www.first.si

www.first.si
Let Firšt be your first choice.

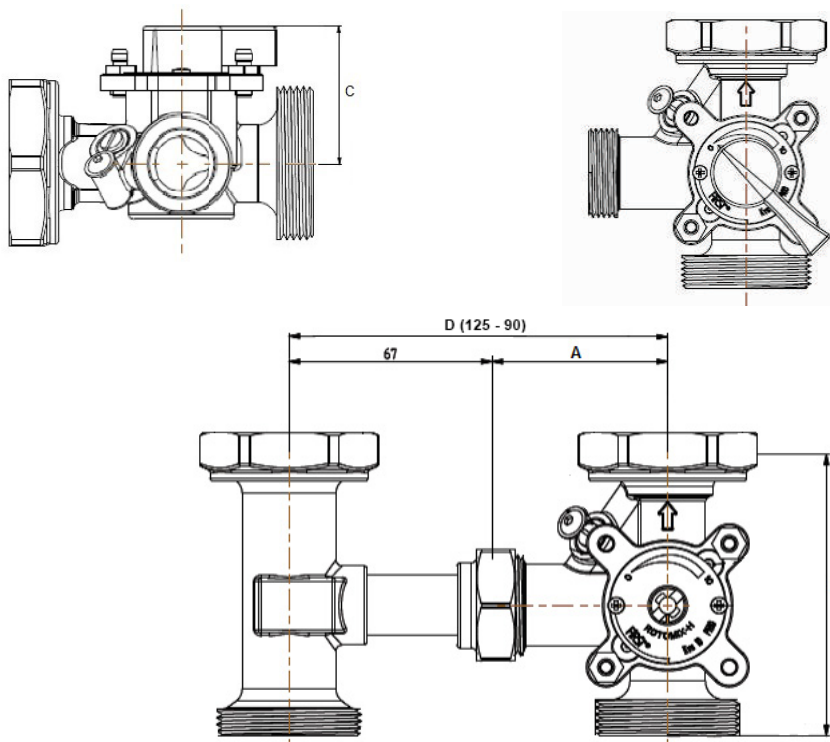


FMV H-151

FIRŠT MIXING VALVES

3-way mixing valves H-151 with by-pass and pump connection

FMV H-151



FMV H-151

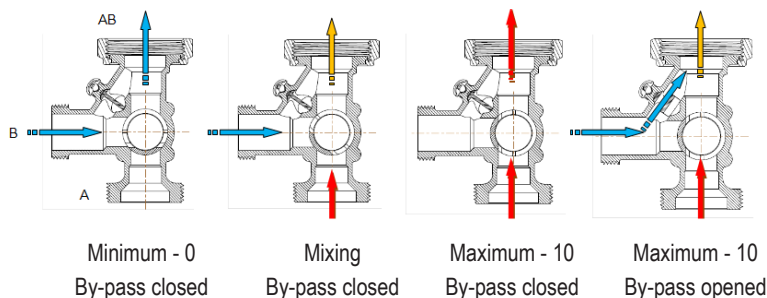
Code	Type	DN	Kvs	Connection	A	B	C	Weight [kg]	Price (€)
41182	FMV H-151	25	6	G1 1/2, G1 M, Rp 1 1/2	58	90	34	0,78	
41183	FMV H-151	25	10	G1 1/2, G1 M, Rp 1 1/2	58	90	34	0,78	

FMV H-151, complete set with T piece

Code	Type	DN	Kvs	Connection	A	B	D	Weight [kg]	Price(€)
41186	FMV H-151	25	6	G1 1/2, G1 M, Rp 1 1/2	58	90	125-95	1,3	
41187	FMV H-151	25	10	G1 1/2, G1 M, Rp 1 1/2	58	90	125-95	1,3	

Working way

Valves allow mixing between two fluids, warm and cold water, to get the desired temperature. The valve is right mounting with adjustable bypass. The bypass can be adjusted up to 50% of the total valve flow.



Installation examples

