

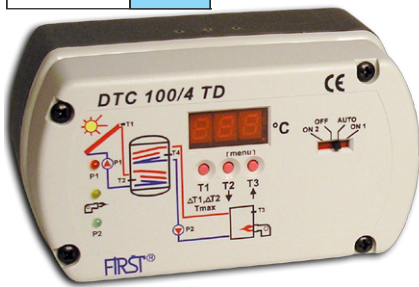
DTC 100/4TD

FIRST DIFFERENTIAL THERMOSTATS

for heating DHWT (domestic hot water tank)

FIRST®

2-POINT CONTROL 1 / 0



FIRST DTC 100/4TD is a microprocessor aided double differential thermostat, designed for heating of domestic water from two heating sources.

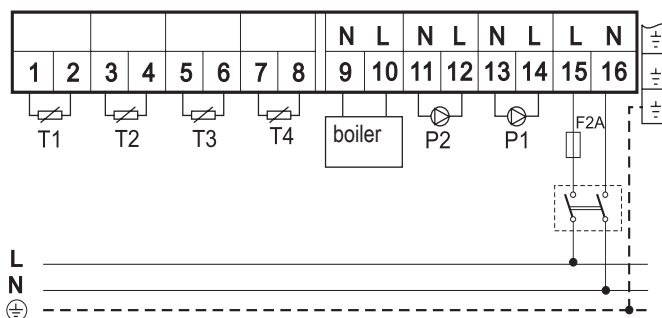
- Output for controlling motor actuated ball valve (type EMV 110 S9000) with circulation pump for two heating circuits (primary, secondary) and for controlling the burner (gas / oil) or electric heater.
- Digital display of all sensors temperatures
- Selector switch for choosing the operation (manual, auto), and to assist installer on start-up and technician during service.

OPERATION

DTC 100/4TD is a microprocessor aided double differential thermostat, designed for heating of domestic water from two heating sources (collectors, boilers, heat pumps,...), using its logic of additional energy source switching on (boiler of central heating system).

The thermostat controls two pumps or two motor actuated ball valves (EMV 110 S9000) and one burner or electric heating element.

CODE AND ELECTRICAL CONNECTION



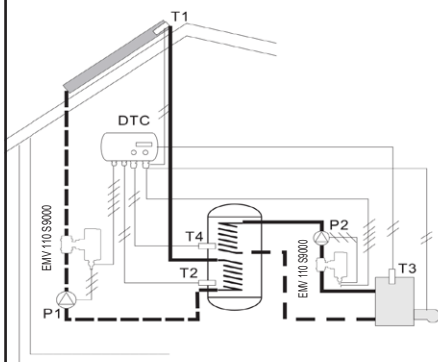
TECHNICAL DATA: DIFFERENTIAL THERMOSTAT

Control:	2-point (P)
Supply voltage:	230VAC, 50Hz
Power consumption:	4VA
Output relay rating:	1(1)A, 230VAC, 50Hz
Temperature measuring range:	-20°C..180°C
Ambient temperature:	0..40°C
Storage temperature:	-10..+70°C
Outputs:	3 x relay output 1(1)A, 230VAC, 50Hz, Working contact SPST
Inputs:	4 x analog sensor
Temperature setting range (DHWT):	10..90°C
Temperature difference setting:	2..15K
Sensors type:	KTY 81-210
Weight:	0,65 kg

Code	Type	Description
13007	DTC 100/4 TD	4 sensors, mounting kit

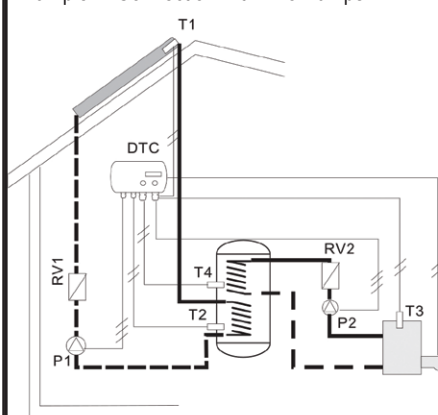
INSTALLATION EXAMPLES

Example 1: Connection with two electric motor actuated ball valves



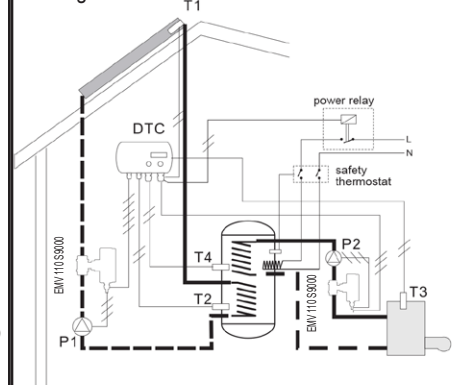
When conditions for heating of a heating circuit are achieved, EMV110 S9000, opens afterwards, when the valve is opened, pump switches on.

Example 2: Connection with Two Pumps



In order to prevent water circulation, behind the pump a retaining valve should be installed. When conditions for heating a heating circuit are achieved, pump switches on.

Example 3: Water After-heating with Electric Heating Element



When water is after-heated by means of electric heating element, it must be connected through additional power relay and safety immersion thermostat. T4 sensor should be installed above electric heating element.

FIRST®

FIRST d.o.o.
Koroška cesta 56
SI-3320 Velenje
SLOVENIA

phone: +386 3 898 35 00
fax: +386 3 898 35 35
email: info@first.si
web: www.first.si

www.first.si
Let First be your first choice.

