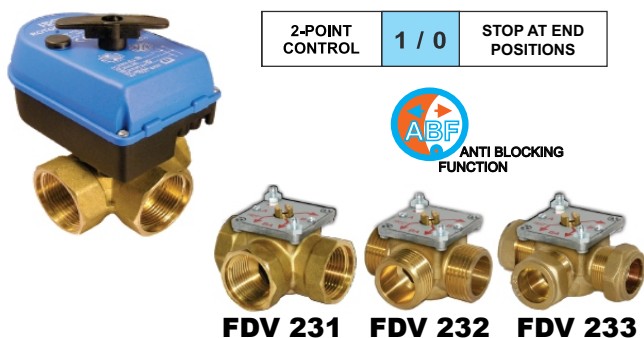


ROTODIVERT-M

DIVERTING/CHANGEOVER UNIT

3-way rotary brass valves with electric actuator ROTODIVERT-M

FIRST®



Valves are available in DN 15 – DN 32, with internal or external thread or compression fittings and are rated PN10.

- FIRST ROTODIVERT-M actuators with FDV 231, 232 and 233 valves are designed for use in radiator, floor or remote heating systems and other small and medium sized heating or cooling systems.
- Three types of connections are available: internal thread (FDV 231), external thread (FDV 232) and compression fittings (FDV 233).

OPERATION

The ROTODIVERT-M is an electric motor actuator designed for operating rotary diverting valves (FDV 231, FDV 232, FDV 233). Actuators are controlled by 2-point signal (SPST) with built-in relay module. Unit can be manually operated.

Valves are designed for use in small and medium sized heating and cooling installations as diverting elements for switching between two heat sources or changeover elements for switching between two heat circuits.

Diverting valves are suitable for long-lasting operation because of special sealing construction. Small rotation torque reduces possibility of valve blocking. Quick and simple assembly of the actuator and valve with push-pull system. Actuator can be optionally fixed to the valve with additional screw.

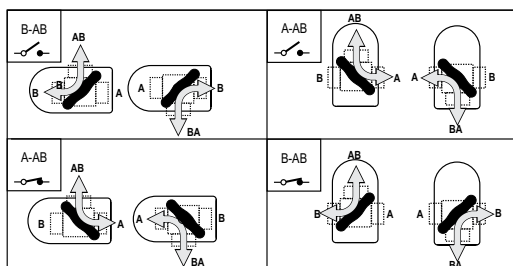
Anti blocking function provides that in case of blockade, the motor changes its direction. Because of that feature the motor is able to save itself from stopping.

MAINTENANCE

Valve requires no maintenance. The installation of suitable strainer is recommended.

INSTALLATION POSITIONS

Actuator can be rotated on the valve body to fit different installation layouts and flow directions A-AB, B-AB, AB-A and AB-B.

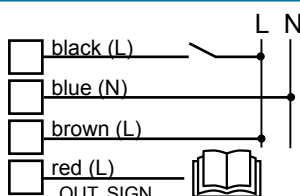


QUICK FIT SYSTEM

Compact design of the valve allows easy tool access when assembling and disassembling the valve. Quick fit system allows easy installation of the actuator on the valve body.



ELECTRICAL CONNECTION



Output signal at end position (B- AB).

TECHNICAL DATA: VALVES

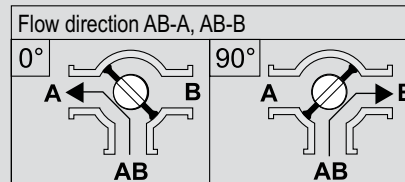
Pressure class:	PN 10
Medium:	water, glycol < 50% water quality as per VDI 2035
Media temperature:	min. +2°C max. +110°C
Leakage ($\Delta p=1$ bar):	max. 0,2% Kvs
Max. diff. pressure:	1 bar
Connections:	Rp internal thread (EN 10226-1) G external thread (ISO 228-1) compression fittings (EN 1254-2)

Material

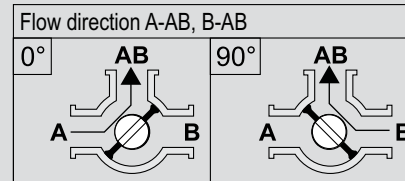
Valve body:	Brass, CW617N
Shaft and rotor:	Brass, CW617N
Bushing:	PTFE
O-Rings:	EPDM,FKM

APPLICATION

DIVERTING APPLICATION



CHANGEOVER APPLICATION



TECHNICAL DATA: ACTUATOR

Control:	2-point SPST
Supply voltage:	230V~50Hz
Rotation time:	18s/90°
Power consumption:	9 VA (operation), 5 VA (stand by relay on), 0 VA (stand by relay off)
Max. Torque:	8Nm
Protection class:	II
Enclosure rating:	IP44
Connection cable:	4 x 0,5 mm ² , l= 1m
Direction of rotation:	not defined CW/CCW (90°/ 360°)
Manual control:	handle and the push button
Position indicator:	mechanical, on the actuator cover
Ambient temperature:	0°C..+55°C
Storage temperature:	-10°C..+70°C
Humidity:	0%..80% R.H. (non condensed)

ROTODIVERT-M / FIRST d.o.o. / Copyright 2015

FIRST®

FIRST d.o.o.
Koroška cesta 56
SI-3320 Velenje
SLOVENIA

phone: +386 3 898 35 00
fax: +386 3 898 35 35
email: info@first.si
web: www.first.si

www.first.si
Let First be your first choice.



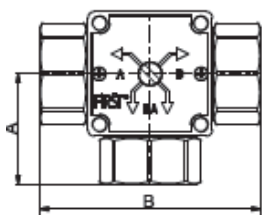
ROTODIVERT-M

DIVERTING/CHANGEOVER UNIT

3-way rotary brass valves with electric actuator ROTODIVERT-M

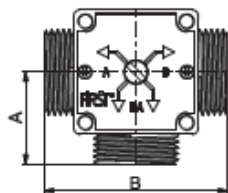
FDV 231

internal threads



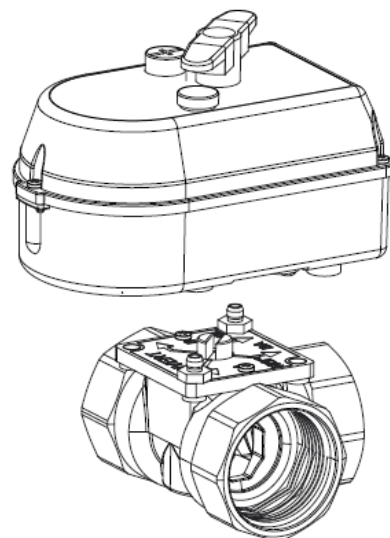
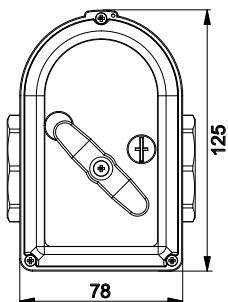
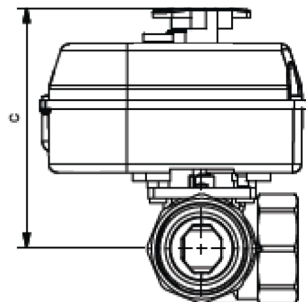
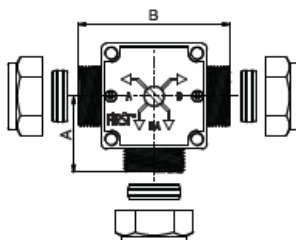
FDV 232

external threads



FDV 233

compression fittings



ROTODIVERT-M 231, internal threads

Code	Type	DN	Kvs	Voltage	Rotation time	Control	Connection	A	B	C	Weight [kg]	Price (€)
10760	ROTODIVERT-M 231 DN15 Rp 1/2"	15	3	230V~50Hz	18s/90°	2P	Rp 1/2"	36	72	113	0,85	
10761	ROTODIVERT-M 231 DN20 Rp 3/4"	20	7	230V~50Hz	18s/90°	2P	Rp 3/4"	36	72	113	0,90	
10762	ROTODIVERT-M 231 DN25 Rp1"	25	11	230V~50Hz	18s/90°	2P	Rp 1"	41	82	113	0,95	
10763	ROTODIVERT-M 231 DN32 Rp1 1/4"	32	15	230V~50Hz	18s/90°	2P	Rp 1 1/4"	47	94	116	1,27	

ROTODIVERT-M 232, external threads

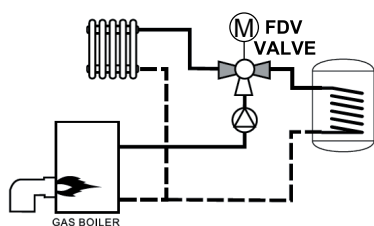
Code	Type	DN	Kvs	Voltage	Rotation time	Control	Connection	A	B	C	Weight [kg]	Price (€)
10764	ROTODIVERT-M 232 DN15 G 3/4"	15	3	230V~50Hz	18s/90°	2P	G 3/4"	36	72	113	0,80	
10765	ROTODIVERT-M 232 DN20 G 1"	20	7	230V~50Hz	18s/90°	2P	G 1"	36	72	113	0,86	
10766	ROTODIVERT-M 232 DN25 G1 1/4"	25	11	230V~50Hz	18s/90°	2P	G1 1/4"	41	82	113	1,0	
*10767	ROTODIVERT-M 232 DN32 G1 1/2"	32	15	230V~50Hz	18s/90°	2P	G 1 1/2"	47	94	116	1,23	

ROTODIVERT-M 233, compression fittings

Code	Type	DN	Kvs	Voltage	Rotation time	Control	Connection	A	B	C	Weight [kg]	Price (€)
10768	ROTODIVERT-M 233 DN20 C22mm	20	7	230V~50Hz	18s/90°	2P	CPF 22mm	36	72	113	0,90	
10769	ROTODIVERT-M 233 DN25 C28mm	25	11	230V~50Hz	18s/90°	2P	CPF 28mm	41	82	113	1,04	

* Units are available on special request.

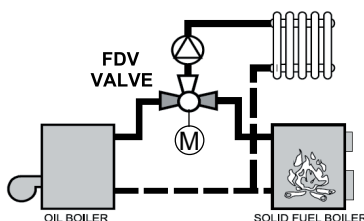
Installation examples



Diverting application

Features and options

- Power supply: 230 VAC 50Hz or 24 VAC 50 Hz.



Changeover application

CE In accordance with PED, LVD, RoHS2, EMC

FIRST®

FIRST d.o.o.
Koroška cesta 56
SI-3320 Velenje
SLOVENIA

phone: +386 3 898 35 00
fax: +386 3 898 35 35
email: info@first.si
web: www.first.si

www.first.si
Let First be your first choice.

