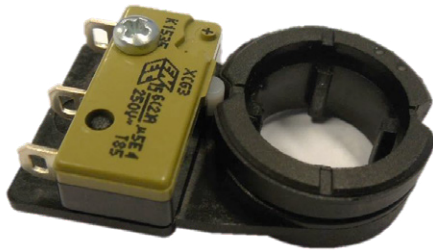


# S1

## AUXILIARY SWITCH

for series 9000 actuators

# FIRST®



The auxiliary switches are used to signal end positions.

- The S1 switch is mounted in the actuator in order to determine the final position of the actuator with a potential-free contact.

### OPERATION / INSTALLATION POSITION

The device must not be used outside the specified field of application. It may only be installed by suitably trained personnel. Any legal regulations or regulations issued by authorities must be observed during installation.

The device may only be opened at the manufacturer's site. It does not contain any parts that can be replaced or repaired by the user. The cable must not be removed from the device.

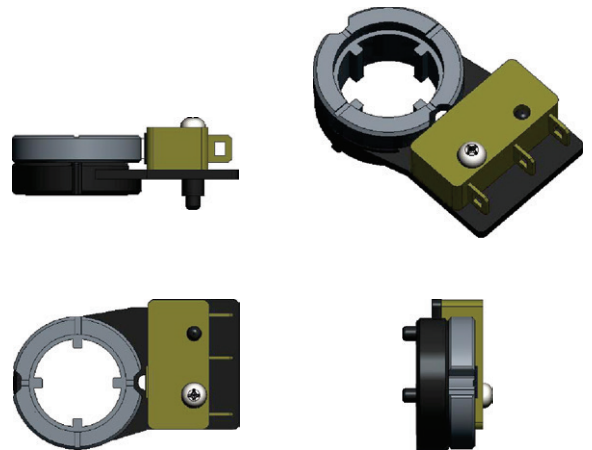
The device contains electrical and electronic components and is not allowed to be disposed of as household refuse. All locally valid regulations and requirements must be observed.

It can be used on several models of series 9000 actuators: 9xxx M/K.

### TECHNICAL DATA: AUXILIARY SWITCH

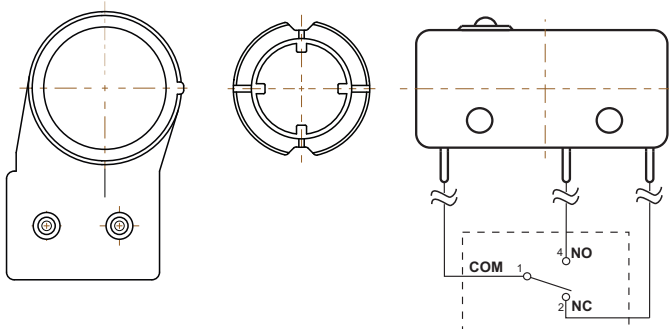
Rating: max 1(1)A, 230V  
Material: PBT  
Temp. range: +55°

### S1 AUXILIARY SWITCH

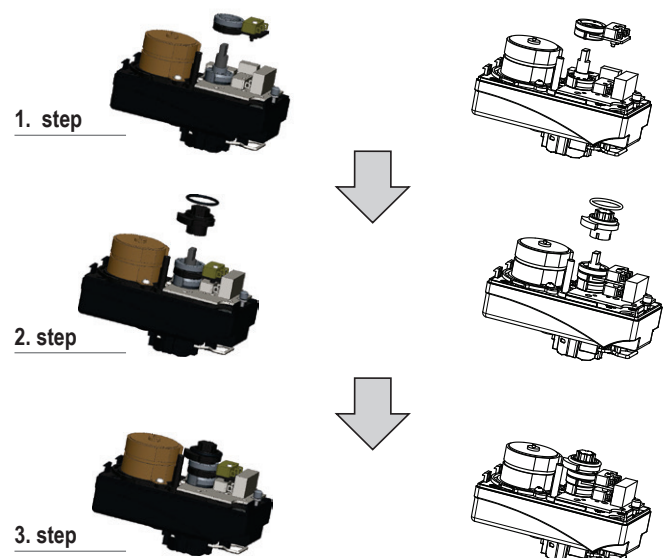


Code	Type
52214	Auxiliary switch S1 S9000 90°
52215	Auxiliary switch S1 S9000 60°

### LAYOUT AND WIRING DIAGRAM



### S1 AUXILIARY SWITCH ASSEMBLY ON THE ACTUATOR



3616\_V1

Auxiliary switch / FIRST d.o.o. / Copyright 2015

# FIRST®

**FIRST d.o.o.**  
Koroška cesta 56  
SI-3320 Velenje  
SLOVENIA

phone: +386 3 898 35 00  
fax: +386 3 898 35 35  
email: info@first.si  
web: www.first.si

[www.first.si](http://www.first.si)  
Let First be your first choice.

