

# ELTHERM TT8

## FIRST ROOM THERMOSTATS

with LCD display that provides time-programmed control of room temperatures

FIRST®

2-POINT CONTROL 1 / 0



FIRST ELTHERM TT8, are room thermostats designed for radiator, convector or fan heating in domestic or light commercial premises.

- Simple use and easy installation
- Digital display (time, day, temperature, status of program)
- Manual settings for constant heating temperature

### OPERATION

Eltherm TT8 room thermostat is designed for radiator, convector or fan heating in domestic or light commercial premises. It may also be used for zone temperature controlling in large buildings. Temperature control is based on the measurement of room temperature.

Eltherm TT8 room thermostat with digital display provides time-programmed control of room temperatures.

### MAINTENANCE

Room thermostat ELTHERM TT8 requires battery change on every 2 years.

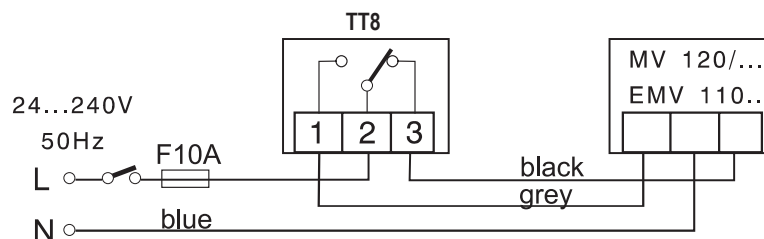
### TECHNICAL DATA: ROOM THERMOSTAT

Battery power supply: 3x AA (LR6 - alkaline)  
 Output: Potential-free relay SPDT  
 Output relay rating: 1(1)A, 250VAC, 50Hz  
 Room temperature setting range: 5 - 30°C  
 Hysteresis of thermostat: +/-1K  
 Weight: 0,32kg

### COMPATIBILITY

Room thermostat ELTHERM TT8 is compatible with ball valves series EMV 110, S9000, UNI 3P and MV 120 actuators.

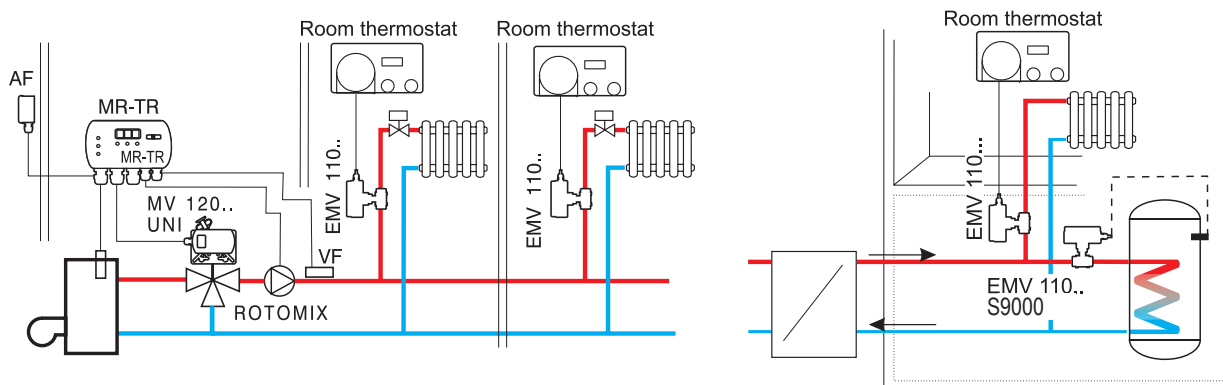
### CODE AND ELECTRICAL CONNECTION



### ELTHERM TT8, room thermostat

Code	Type	Description
27098	ELTHERM TT8	digital thermostat with a weekly timer

### INSTALLATION EXAMPLES



ELTHERM TT8 / FIRST d.o.o. / Copyright 2016

FIRST®

FIRST d.o.o.  
 Koroška cesta 56  
 SI-3320 Velenje  
 SLOVENIA

phone: +386 3 898 35 00  
 fax: +386 3 898 35 35  
 email: info@first.si  
 web: www.first.si

www.first.si  
 Let First be your first choice.

