

UNI 2P ND

FIRST ELECTRIC ACTUATORS

for 2-way and 3-way valves

FIRST®

2-POINT CONTROL	1 / 0	STOP AT END POSITIONS
-----------------	-------	-----------------------



ISO 5211

CLIP SYSTEM

FLEXIBLE HOLDER SYSTEM



FIRST actuators, series UNI, are 2-point actuators designed for operating 2-way and 3-way valves (DN 15 - DN 50).

- The FIRST UNI 2P ND actuators have not defined (ND) direction of rotation with range of 90°.
- Actuators are available with cable connection and manual control handle.
- Recommended for on/off applications.
- Actuators are equipped with adapters for mounting on various First valves and on other manufacturers of valves.

OPERATION

UNI 2P ND is an electric motor actuator designed for operating 2-way and 3-way valves. Actuators are controlled by 2-point SPST signal with built-in relay module. FIRST UNI 2P ND actuators allow high regulating accuracy and easy installation with different adapter kits.

Actuators are available in 230 V AC 50 Hz or 24 V AC 50 Hz and are supplied with a 1m attached connection cable. Actuator can be manually operated with handle and button on the cover.

Actuators are recommended for on/off applications with FBV 200C, FBV 600, FBV 859, FBV 800 and for ISO 5211 valves. Actuators can be also used for diverting applications with 3-way FBV 710 valves.

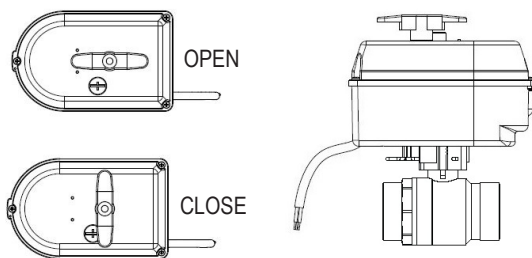
Anti blocking function provides that in case of blockade the motor changes its direction. Because of that feature, the motor is able to save itself from stopping.

MAINTENANCE

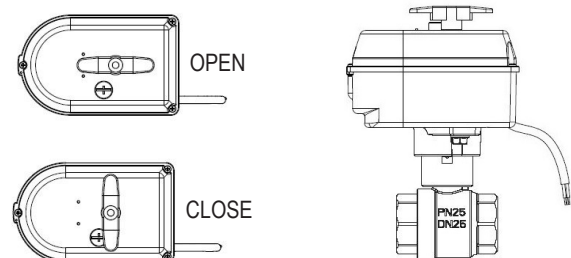
Actuator requires no maintenance. The installation of suitable strainer is recommended.

INSTALLATION POSITION

UNI 2P ND with FBV 200C valves for on/off applications.

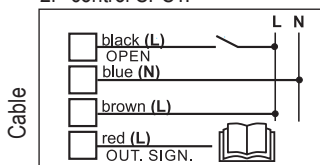


UNI 2P ND with FBV 600 valves for on/off applications.

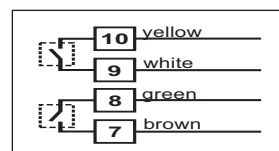


ELECTRICAL CONNECTION

2P-control SPST.



Optional: Two potential free output S2.



SUITABLE VALVES

FBV 200C

FBV 600

ISO VALVE

FBV 800

FBV 710



In accordance with PED, LVD, RoHS2, EMC

FIRST®

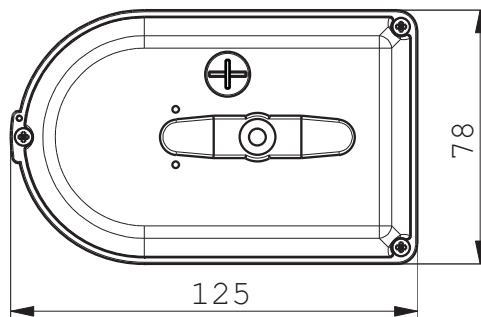
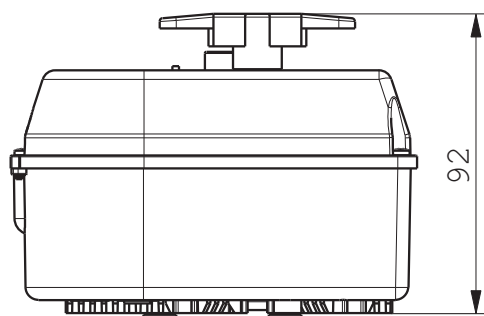
FIRST d.o.o.
Koroška cesta 56
SI-3320 Velenje
SLOVENIA

phone: +386 3 898 35 00
fax: +386 3 898 35 35
email: info@first.si
web: www.first.si

www.first.si
Let First be your first choice.



UNI - 2P ND



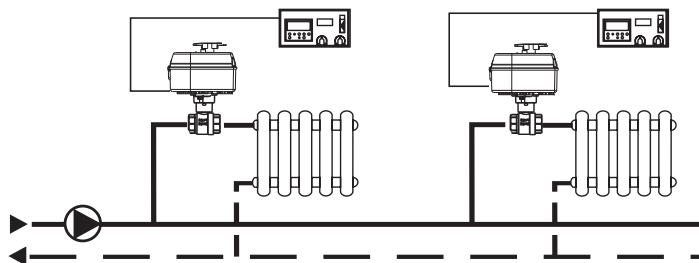
UNI 2P ND, for 2-way and 3-way valves

Code	Type	Voltage	Rotation time	Control signal	Connection	Max. torque [Nm]	Weight [kg]	Price (€)
12508	UNI 2P ND	230 VAC 50 Hz	16s/90°	2-point SPST	Cable	7	0,67	
12511	UNI 2P ND	24 VAC 50 Hz	32s/90°	2-point SPST	Cable	15	0,67	
12501	UNI 2P ND	230 VAC 50 Hz	49s/90°	2-point SPST	Cable	15	0,67	
12512	UNI 2P ND	24 VAC 50 Hz	49s/90°	2-point SPST	Cable	15	0,67	
12500	UNI 2P ND	230 VAC 50 Hz	32s/90°	2-point SPST	Cable	15	0,67	
*12531	UNI 2P ND	230 VAC 50 Hz	64s/180°	2-point SPST	Cable	15	0,67	

* Only for 3-way valves.

Installation examples

UNI - 2P ND with FBV 600, installation example



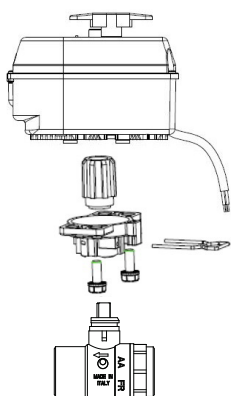
Features and options

- **Auxiliary switch:** two potential free auxiliary switch in the end position of the actuator is available as an option.
- **Power supply:** 230V 50Hz or 24V 50Hz
- **Different running times:** 16s/60°, 32s/90°, 49s/90°
- **Solar/cooling adapter:** Heat barrier for protection of the actuator in solar or cooling systems.
- **Output signal (L):** at end position.
- **Adapter kits:** Clip system / ISO 5211 / Flexible holder system

Adapter kits

Clip system

Code	Type
58039	Adapter set Clip



ISO 5211 system

Code	Type
58021	Adapter set ISO



Flexible holder system

Code	Type
58000	Adapter set Flexible holder system

