

SCA

SOLAR/COOLING ADAPTER

with Clip system for use in solar or cooling systems

FIRST®

SCA SOLAR / COOLING ADAPTER

CLIP SYSTEM



The SCA adapter is intended for use in cooling systems where the temperature of the media can go below 0°C, and in solar heating systems where the temperature of the media can reach very high levels.

- The SCA adapter is designed for use in systems, where the media temperature can reach very high or very low levels.
- Easy installation of SCA adaptor and actuator with simple push-down motion without any tools.

OPERATION

SCA adapter is installed between the valve unit and the actuator to protect the actuator against high temperatures (in solar heating systems) or against condensation and icing (in cooling systems).

SCA adapter can be used with all our valves with CLIP SYSTEM: FMV 130C, FMV 140C, FMV H-151C, FDV 230C, FBV 200C, FBV 200C-M, FBV 230C, FDV 530C, FBV 330C and with series 8000 and series 9000 electric actuators. With a mounting adapter it can also be used with S4000 and UNI actuators in combination with CLIP SYSTEM valves.

INSTALLATION POSITION

The SCA adapter can be mounted on different clip system valves and can be installed on various actuator series.



Code	Type
58100	SCA adapter CLIP

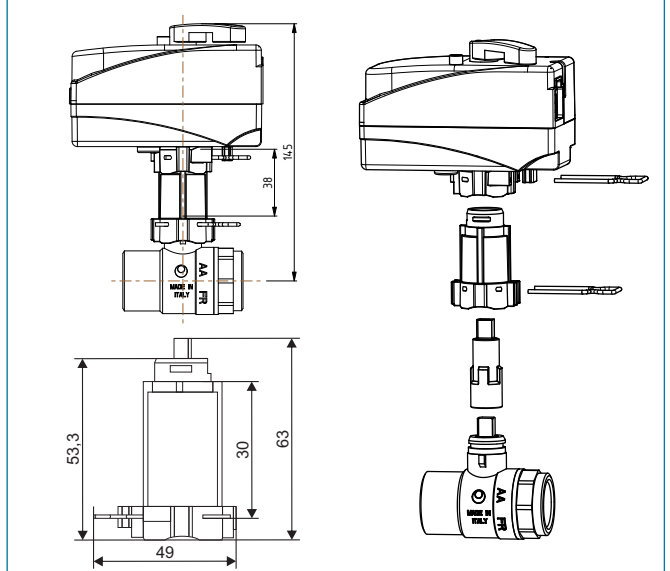
TECHNICAL DATA: SCA ADAPTER

Media temperature range: min. -15°C / max. +125°C
(+150°C briefly)

Max. operating torque: 5 Nm

Material: PPS

DIMENSIONS



SUITABLE VALVES



FIRST®

FIRST d.o.o.
Koroška cesta 56
SI-3320 Velenje
SLOVENIA

phone: +386 3 898 35 00
fax: +386 3 898 35 35
email: info@first.si
web: www.first.si

www.first.si
Let First be your first choice.

