

# FMV 140

## FIRŠT MIXING VALVES

4-way rotary mixing brass valves

FIRŠT®



FMV 140

Valves are available in DN 15 – DN 32, with internal threads and are rated PN10.

- FIRŠT FMV 140 are manual operated valves designed for use in small and medium sized heating or cooling systems.
- One type of connection is available: internal threads (FMV 141).

### OPERATION

The FIRŠT FMV 140 are compact mixing brass valves for use in small and medium sized heating and cooling installations. Mixing valves are suitable for long-lasting operation because of special sealing construction. Small rotation torque of the valve minimizes possibility of valve blocking.

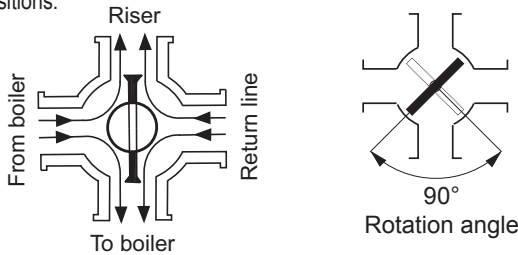
Valves are hand operated and can be additionally equipped with actuators EUROMIX and UNI series.

### MAINTENANCE

Valve requires no maintenance, The installation of suitable strainer is recommended.

### INSTALLATION POSITIONS

The valve position scale can be turned or rotated to fit different mounting positions.



### QUICK FIT SYSTEM

Compact design of the valve allows easy tool access when assembling and disassembling the valve. Quick fit system allows easy installation of the actuator on the valve body.



### TECHNICAL DATA

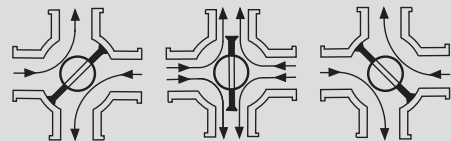
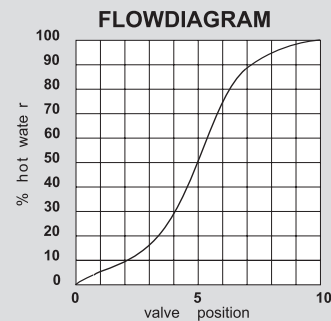
Pressure class:	PN 10
Medium:	water, glycol < 50% water quality as per VDI 2035
Media temperature:	min. -10°C max. +110°C
Leakage ( $\Delta p=1$ bar):	max. 0,2% Kvs
Max. diff. pressure:	1 bar
Connections:	Rp internal thread (EN 10226-1)

### Material

Valve body:	Brass, CW617N
Shaft and rotor:	Brass, CW617N
Bushing:	PTFE
O-Rings:	EPDM,FKM

PED 97/ 23/ EC art 3.3

### FLOW DIAGRAM



### SUITABLE ACTUATORS



- EUROMIX
- COMP MOD
- UNI 3P
- UNI MOD X
- UNI TEMP

FIRŠT®

FIRŠT d.o.o.  
Koroška cesta 56  
SI-3320 Velenje  
SLOVENIA

phone: +386 3 898 35 00  
fax: +386 3 898 35 35  
email: info@first.si  
web: www.first.si

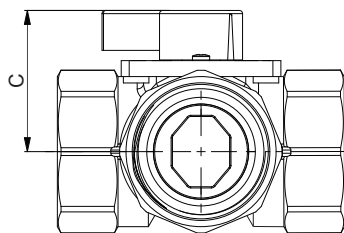
www.first.si  
Let Firšt be your first choice.



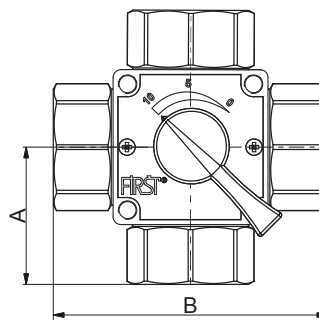
# FMV 140

## FIRŠT MIXING VALVES

4-way mixing brass valves



**FMV 141,**  
internal threads



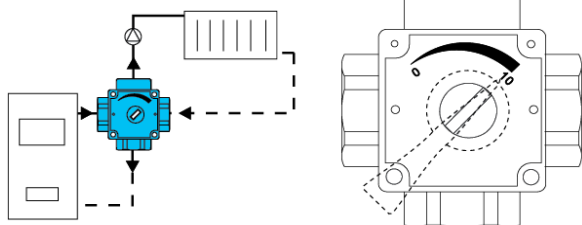
**FMV 141,** internal threads

Code	Type	DN	Kvs	Connection	A	B	C	Weight [kg]	Price (€)
*41166	FMV141 DN15 Rp 1/2" FFFF	15	3	Rp 1/2"	36	72	45	0,41	
41167	FMV141 DN20 Rp 3/4" FFFF	20	7	Rp 3/4"	36	72	45	0,47	
41168	FMV141 DN25 Rp1" FFFF	25	11	Rp 1"	41	82	45	0,51	
*41169	FMV141 DN32 Rp1 1/4" FFFF	32	15	Rp 1 1/4"	47	94	48	0,84	

\* Valves are available on special request.

### Installation examples

1. example



2. example

