

FMV 140C

FIRŠT MIXING VALVES

4-way rotary mixing brass valves with clip system

FIRŠT®



FMV 140C

Valves are available in DN 15 – DN 32, with internal thread and are rated PN10.

- FIRŠT FMV 140C are manual operated valves designed for use in small and medium sized heating or cooling systems.
- One type of connection is available: internal threads (FMV 141C).

OPERATION

The FIRŠT FMV 140C are compact mixing brass valves for use in small and medium sized heating and cooling installations. Mixing valves are suitable for long-lasting operation because of special sealing construction. Small rotation torque of the valve minimizes possibility of valve blocking.

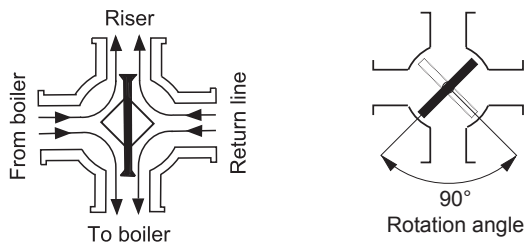
Valves are hand operated and can be additionally equipped with S9000-MIX and UNI series actuators.

MAINTENANCE

Valve requires no maintenance, The installation of suitable strainer is recommended.

INSTALLATION POSITIONS

The valve position scale can be turned and rotated to fit different mounting positions.



CLIP SYSTEM

Compact design of the valve allows feasy assembling and disassembling. CLIP system allows easy installation of the actuator on the valve body with single click without any tools.



TECHNICAL DATA

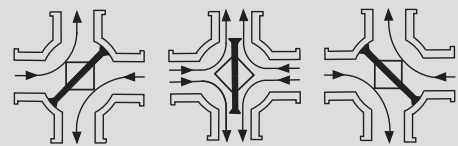
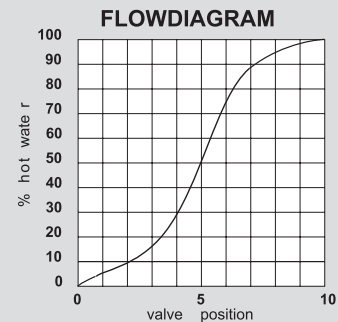
Pressure class:	PN 10
Medium:	water, glycol < 50% water quality as per VDI 2035
Media temperature:	min. -10°C max. +110°C
Leakage ($\Delta p=1$ bar):	max. 0,2% Kvs
Max. diff. pressure:	1 bar
Connections:	Rp internal thread (EN 10226-1)

Material

Valve body:	Brass, CW617N
Shaft and rotor:	Brass, CW617N
Bushing:	PTFE
O-Rings:	EPDM,FKM

PED 97/ 23/ EC art 3.3

FLOW DIAGRAM



SUITABLE ACTUATORS



- S9000-MIX
- UNI 3P
- UNI MOD X
- UNI TEMP

FIRŠT®

FIRŠT d.o.o.
Koroška cesta 56
SI-3320 Velenje
SLOVENIA

phone: +386 3 898 35 00
fax: +386 3 898 35 35
email: info@first.si
web: www.first.si

www.first.si
Let Firšt be your first choice.



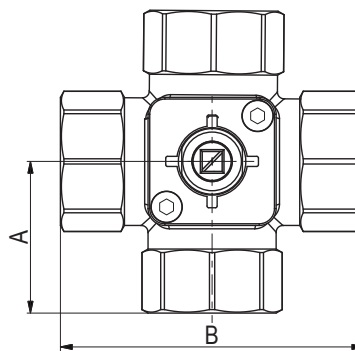
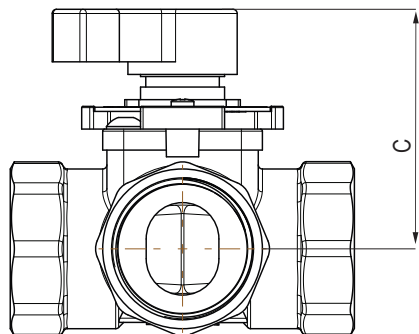
FMV 140C

FIRŠT MIXING VALVES

4-way mixing brass valves with clip system.

FMV 141C

internal threads



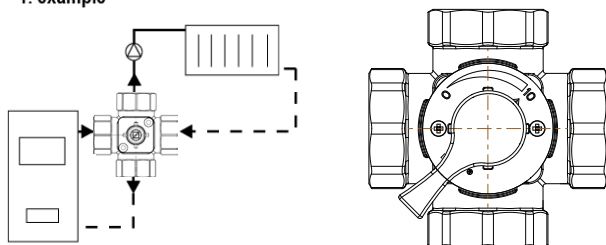
FMV 141C, internal threads

Code	Type	DN	Kvs	Connection	A	B	C	Weight [kg]	Price (€)
*41174	FMV141C DN15 Rp 1/2" FFFF	15	3	Rp 1/2"	36	72	45	0,41	
41175	FMV141C DN20 Rp 3/4" FFFF	20	7	Rp 3/4"	36	72	45	0,47	
41176	FMV141C DN25 Rp1" FFFF	25	11	Rp 1"	41	82	45	0,51	
*41177	FMV141C DN32 Rp1 1/4" FFFF	32	15	Rp 1 1/4"	47	94	48	0,84	

* Valves are available on special request.

Installation examples

1. example



2. example

