

# ROTOTERM MR-TR "Plus"

**FIRST HEATING CONTROLLERS**  
for radiator or underfloor heating control

**FIRST®**



**FIRST ROTOTERM MR-TR "Plus" is weather compensating central heating controller. It is designed to regulate the radiator or underfloor heating.**

- Selector switch for choosing the operation (manual, auto), and to assist installer on start-up and technician during service.
- Temperature enquiry (outer, solid fuel boiler, underfloor, mixed flow) on digital display
- Digital setting of all parameters
- Led status indicator

## OPERATION

ROTOTERM MR-TR "Plus" is weather compensating central heating controller. It is designed to regulate the radiator or underfloor heating. The controller is 3-point (PID) temperature controller of heating water, which works as a function of external temperature, and in conjunction with the room correction unit, allows remote room temperature adjustment.

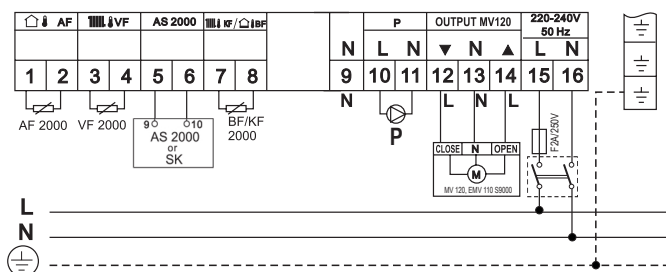
Heating controller has an output for controlling motor actuator for mixing valves (UNI 3P, MV 120, EMV 110 S9000) and circulation pump.

The controller is built in microprocessor technology and meets the latest quality standards. It offers a wide variety of programming options, allowing optimal controller settings for the selected object.

## TECHNICAL DATA: HEATING CONTROLLER

Control:	3-point (PID)
Supply voltage:	230VAC, 50Hz
Power consumption:	max.4VA
Output relay rating:	1(1)A, 230VAC, 50Hz
Room temperature setting range:	5..25°C
Temperature measuring range:	-40°C..+160°C
Humidity:	5%..70% (non condense)
Heat curve ratio adjustment:	0,1..2
Heat curve parallel shift adjustment:	+/- 10°C
Room unit influence (AS/VF):	1..15
Boiler condensation limit adjustment:	30..75°C (radiator heating)
Underfloor temperature limit adjustment:	15..35°C (underfloor heat.)
Circulation pump switching-off adjustment:	20..45°C
Sensors type:	KTY 81-210
Room unit:	AS 2000-E

## CODE AND ELECTRICAL CONNECTION

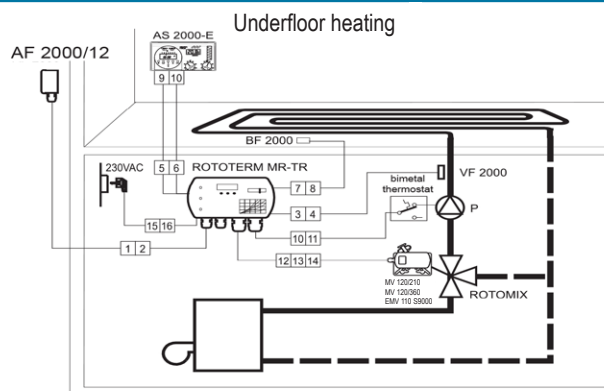
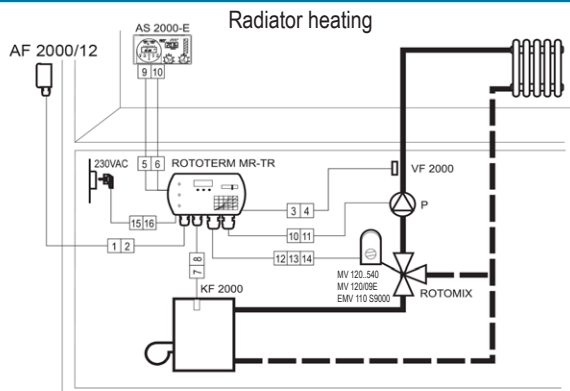


## Programmable Room unit AS 2000-E

Programmable room unit AS 2000-E with incorporated digital timer is an electronic time switch which is used for programming daily and weekly mode of operation. Two temperature levels can be set - day time and night time level. The design of the timer enables simple operation with keys as well as control of actual hour, day and heating conditions in any time. Additionally it is equipped with room temperature display. Room unit AS 2000-E has additional switch on the right side. It makes possible to choose two heating regimes:  
- temperature control of mixed flow depends on external and internal room temperature (normal operation),  
- temperature control of mixed flow depends on exterior temperature.

Code	Type	Description
21128	ROTOTERM MR-TR "Plus"	Heating controller MR-TR, Room unit AS 2000-E, 3 sensors, mounting kit
21131	ROTOTERM MR-TR	Heating controller MR-TR, 3 sensors, mounting kit

## INSTALLATION EXAMPLES



**FIRST®**

**FIRST d.o.o.**  
Koroška cesta 56  
SI-3320 Velenje  
SLOVENIA

phone: +386 3 898 35 00  
fax: +386 3 898 35 35  
email: info@first.si  
web: www.first.si

**www.first.si**  
Let First be your first choice.

